

High performance 3-chip DLP® projector 1920\*1080



**Technical information**

1920 x1080 up to 8000 Ansi lumens  
 contrast 15 000 : 1 (max on / off)  
 displayable colours 30-bit RGB  
 image processing latency ~22 ms on graphics port  
 compatibility computer compatibility 1920 x 1200 - 640 x 480 pixel resolution  
 RGBHV, RGBS, RGsBcustom formats available  
 horizontal scan frequency 15 - 150 kHz (resolution dependant)  
 vertical scan frequency 48 - 190 Hz (resolution dependant)  
 video compatibility HDTV (1080i/p, 720p)  
 EDTV (576p, 480p) SDTV (576i, 480i) NTSC, PAL, SECAM  
 lamp 2x330W UHPT™ lamp life 2000 hrs (full power), continuously adjustable 270 - 330W  
 inputs / outputs computer input(s) 1x DVI (DVI-D)  
 1x HDMI1.3a  
 1x VGA (15-pin HDDSUB)  
 1x RGBHV, RGBS, RGsB, YUV (5x BNC)  
 video input(s) 1x HDMI 1.3a  
 1x YPbPr component video (3xRCA)  
 1x S-video (4-pin mini DIN)  
 1x composite video (RCA)  
 control and communications RS232 in/out (9-pin DSUB male/female)  
 1x TCP/IP (RJ-45)  
 1x USB  
 2x 12V triggers (screen / aspect)  
 IR Remote with ID

**Product information**

- High performance 3-chip DLP® projector
- WUXGA or 1080p resolution
- Revolutionary Advanced Optical Color Processing technology
- Wide range of lens options
- RealColor colour management
- DLP technology– chosen for reliability
- Precision projection lens optics
- Advanced Color Optical Processing
- RealColor colour calibration
- Low Total Cost of Ownership
- Designed for full 24/7 operation

**Technical information**

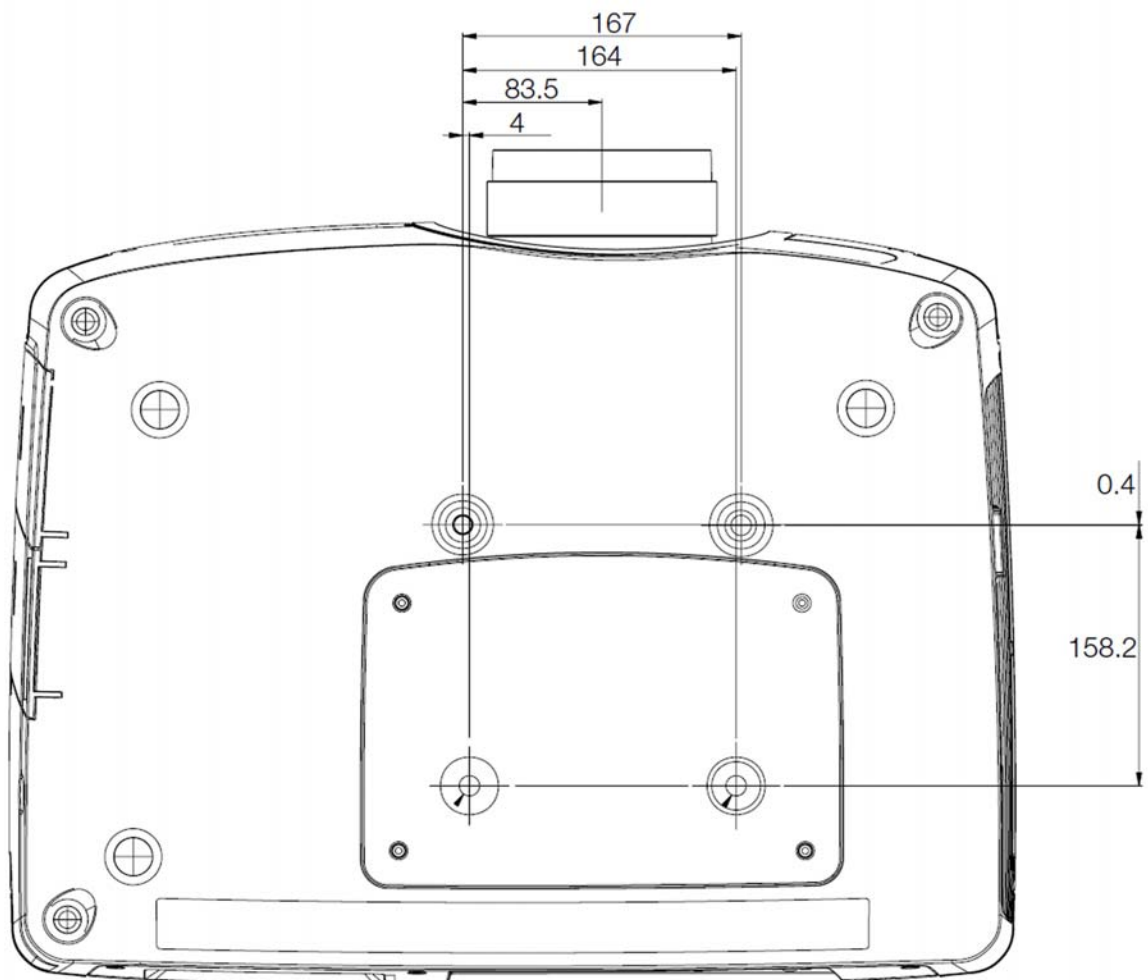
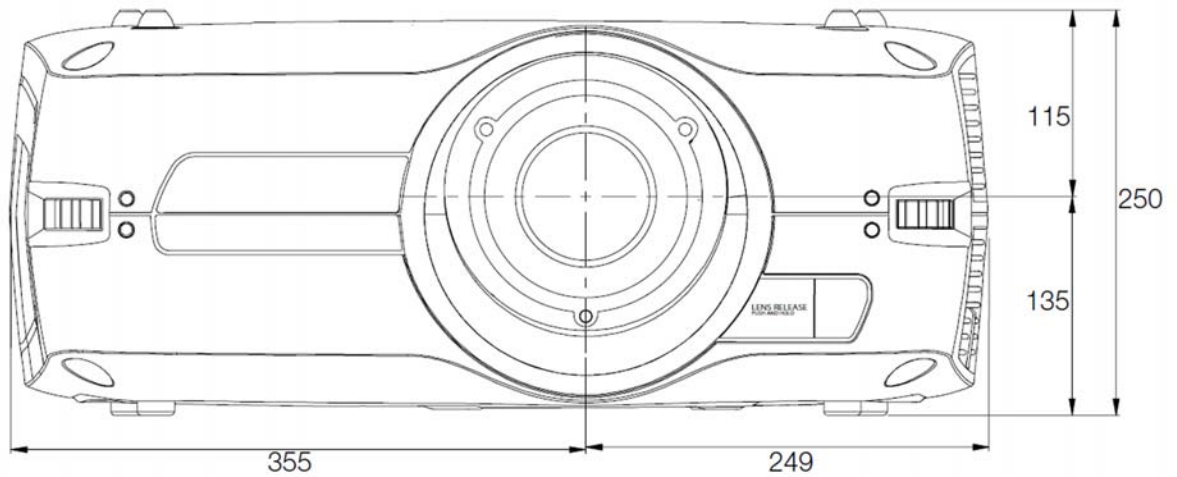
general dimensions (d x w x h) 505 x 604 x 250 mm  
 weight about 24 kg plus lens  
 power requirements 12.5A or 6.5A, 100-120V or 200-240V, 50-60Hz  
 conformances CE, UL, cUL, FCC Class A  
 Kensington lock  
 operating temperature 0 - 40C / 32 - 104F (0 - 1500m)  
 operating humidity 20 - 90% RH

Disclaimer: Changes in the data may have been made by the manufacturer without notice.

**Product sheet**

Art #:2301  
 PROJECTIONDESIGN  
 F80

High performance 3-chip DLP® projector 1920\*1080



Disclaimer: Changes in the data may have been made by the manufacturer without notice.

Centas Konferens-TV AB  
 www.centas.se  
 info@centas.se

Stockholm  
 +46 8 724 04 00  
 stockholm@centas.se

Malmö  
 +46 40 14 38 00  
 malmo@centas.se

Göteborg  
 +46 31 84 01 00  
 goteborg@centas.se